



Data Sheet



Product Category: IF SAW Filter

Part Number: 835-IF70.0M-K Package: 35.0 x 12.8 Thru Hole Application: Base Station & Repeater Last Modified: May 24 2003

TYPE :
70.0 MHz Bandpass Filter
9.45 MHz Bandwidth

PART NUMBER :
835-IF70.0M-K

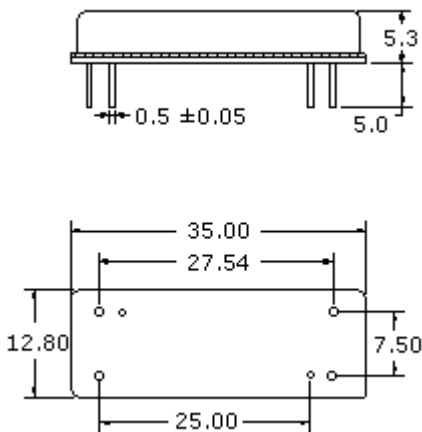


OPERATING CONDITIONS / ELECTRICAL CHARACTERISTICS

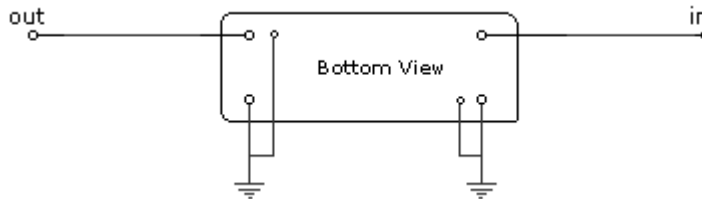
PARAMETERS	Minimum	Typical	Maximum	Units
Center Frequency	69.95	70.00	70.05	MHz
Insertion Loss	-	28.5	30.0	dB
1dB Bandwidth	9.25	9.32	-	MHz
3dB Bandwidth	9.45	9.52	-	MHz
40dB Bandwidth	-	10.28	10.35	MHz
50dB Bandwidth	-	10.35	10.40	MHz
Passband Ripple	-	0.65	1.0	dB
Group Delay Variation	-	70	150	nsec
Absolute Delay	-	4.40	-	µsec
Ultimate Rejection	50	55	-	dB
Substrate Material	-	LN	-	-
Ambient Temperature	-	25	-	°C

* Custom SAW IF Filters available. Contact Oscilent for assistance.

PACKAGE OUTLINE (mm)



TEST FIXTURE



No Matching Required
Source/Load Impedance = 50 ohms

Part No.: 835-IF70.0M-K

Oscilent Corporation - CALL **949.252.0522**

17962 Sky Park Circle . Building D . Irvine . CA 92614 . USA
Fax: 949.252.0599 . E-Mail: Sales@Oscilent.com

[Crystal Oscillators](#) | [Quartz Crystal](#) | [TCXO](#) | [VCXO](#) | [IF SAW Filter](#) | [RF SAW Filter](#) | [Ceramic Resonator](#)
[Crystal Filter](#) | [Ceramic Filter](#) | [SAW Filter / SAW Devices](#) | [Site Map](#)